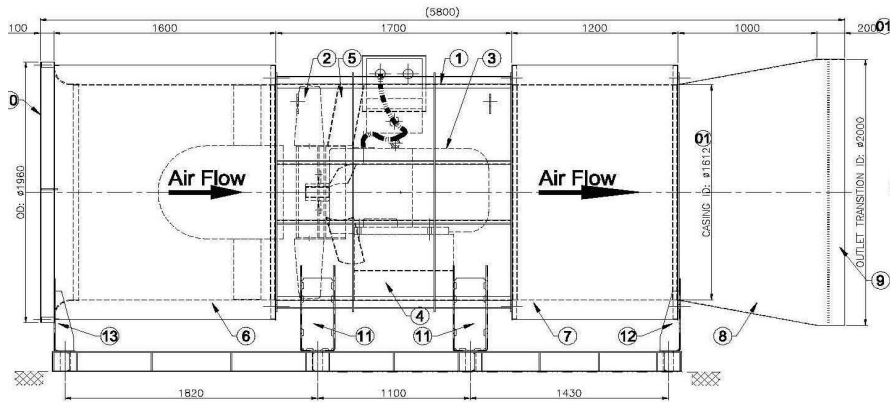


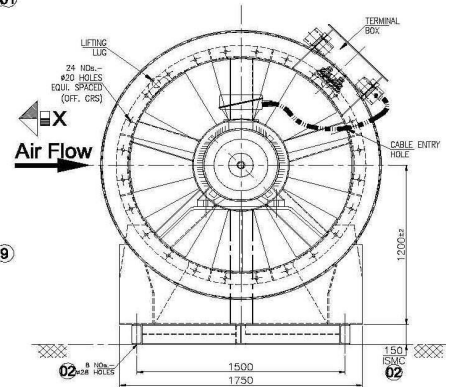
**Samruddhi Mahamarg Express Way Project , Igatpuri, Nashik, Maharashtra)**  
**BY Shilpi Engineering Pvt. Ltd. (Afcons)**  
**160 K.W 1600 mm dia with 2400 mm dia duct**



**Samruddhi Mahamarg Express Way Project , Igatpuri, Nashik, Maharashtra)**  
**BY Shilpi Engineering Pvt. Ltd. (Afcons)**  
**160 K.W 1600 mm dia with 2400 mm dia duct**



**ELEVATION**



**VIEW From -X-**

